



kitchen garden

product description

Grow your own vegetables, fruit and herbs on your balcony, terrace or garden with a model from the Kitchen Garden collection. A range of different vegetable garden boxes. From the compact terrace to the full-fledged vegetable garden, there is a model to suit every surface. A collection made of 100% recycled waste plastic, frost and UV resistant. A durable product with a long lifespan that can be recycled later on. Each package contains the necessary edge profiles in combination with the L and T connection profiles. Get your green fingers out and get started with a model from the Kitchen Garden collection.

material MPO regranulate – made from mixed recycled belgian plastic householdwaste

colours • dark grey



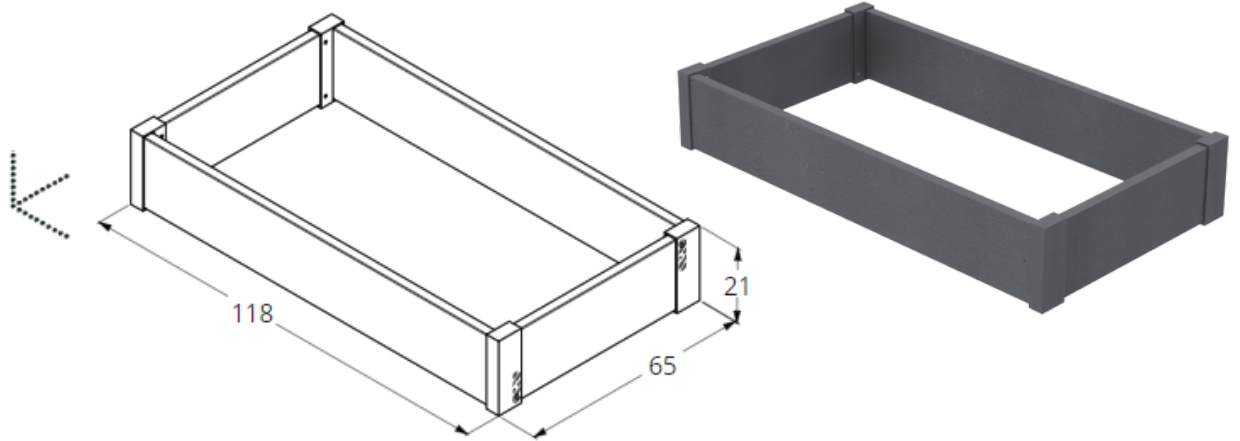
references & dimensions

article description	dimensions L xW x D	weight in kg.	total items per pallet	colours
KGM1 - Model 1	118 cm x 65 cm x 21 cm	9.70	xx	dark grey
KGM2 - Model 2	118 cm x 125 cm x 41 cm	25.70	xx	dark grey
KGM3 - Model 3	118 cm x 125 cm x 60 cm	36.00	xx	dark grey

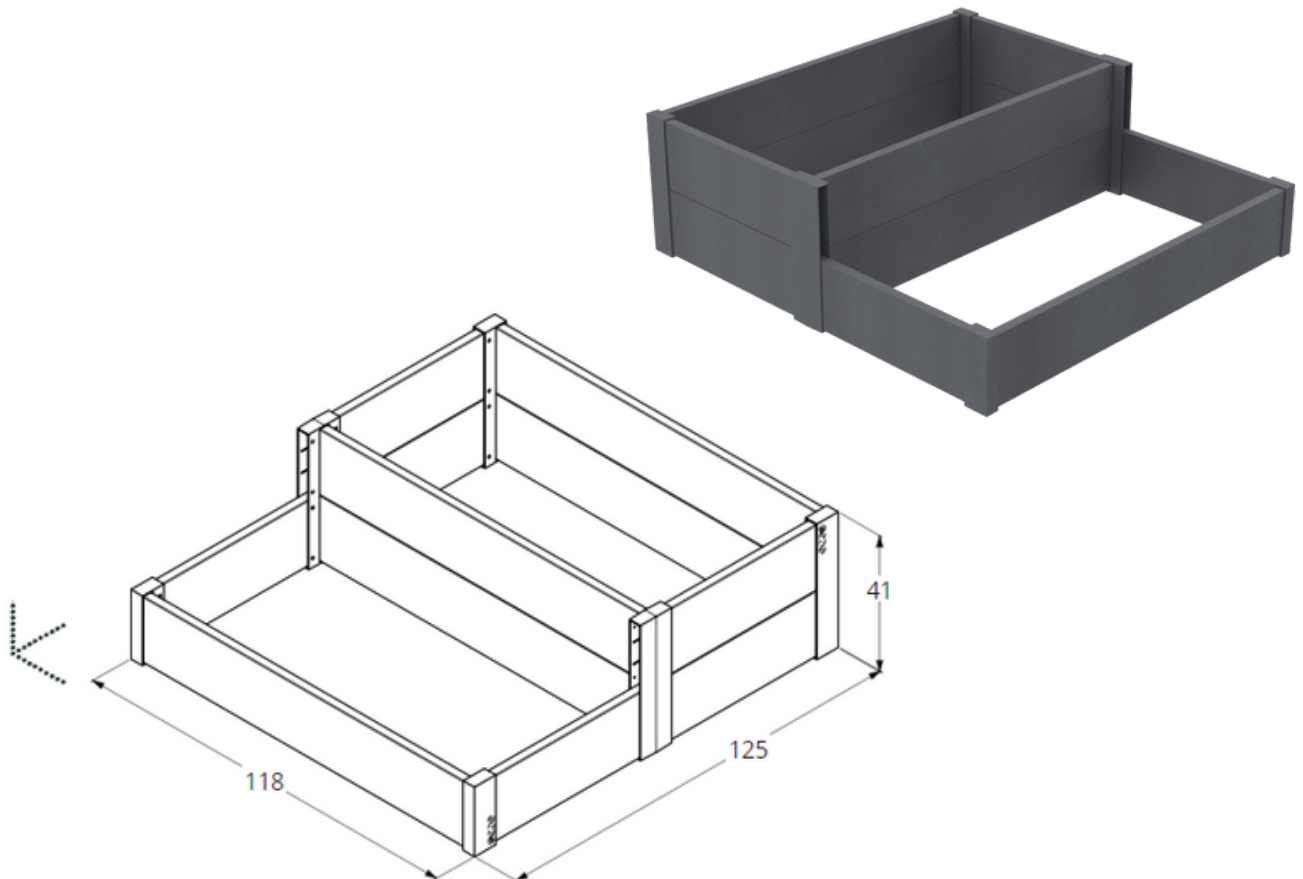


kitchen garden

model 1



model 2





kitchen garden

model 3

